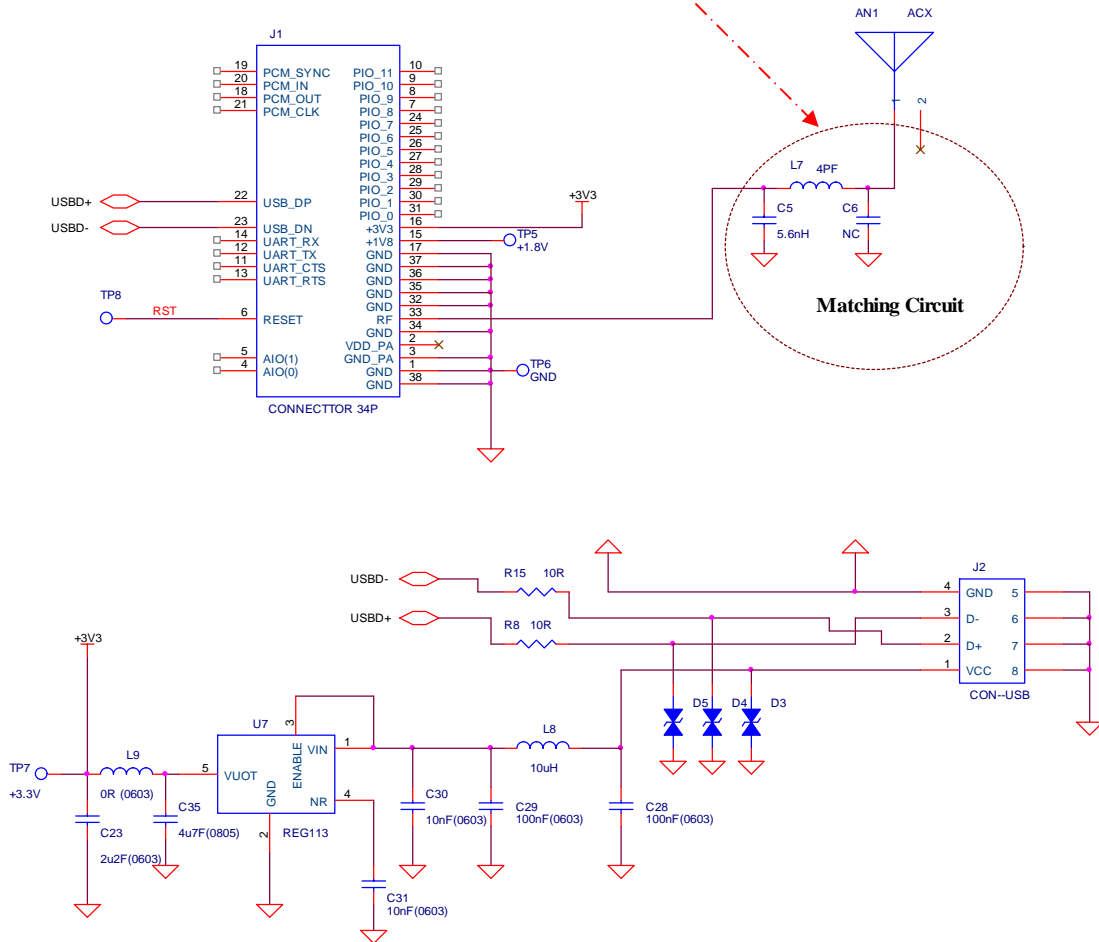


USB Application circuit for BT-MD02A Products

Please modify the matching for antenna circuit part.



SPP Application circuit for BT-MD02A Products

