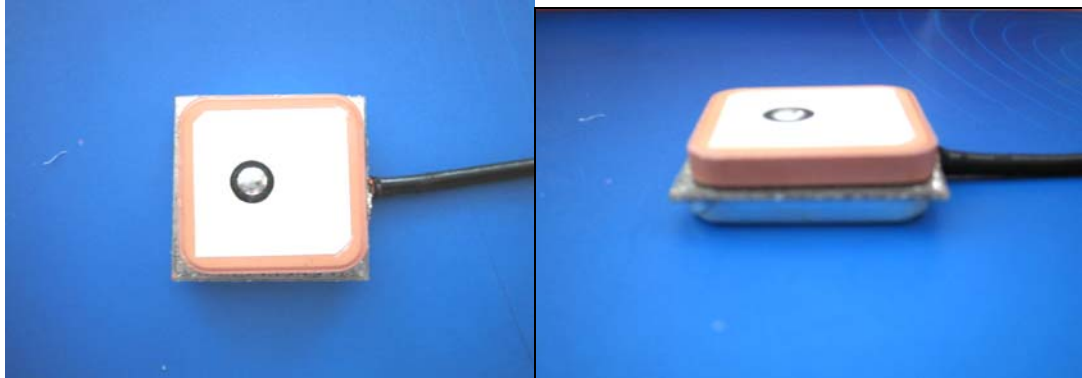
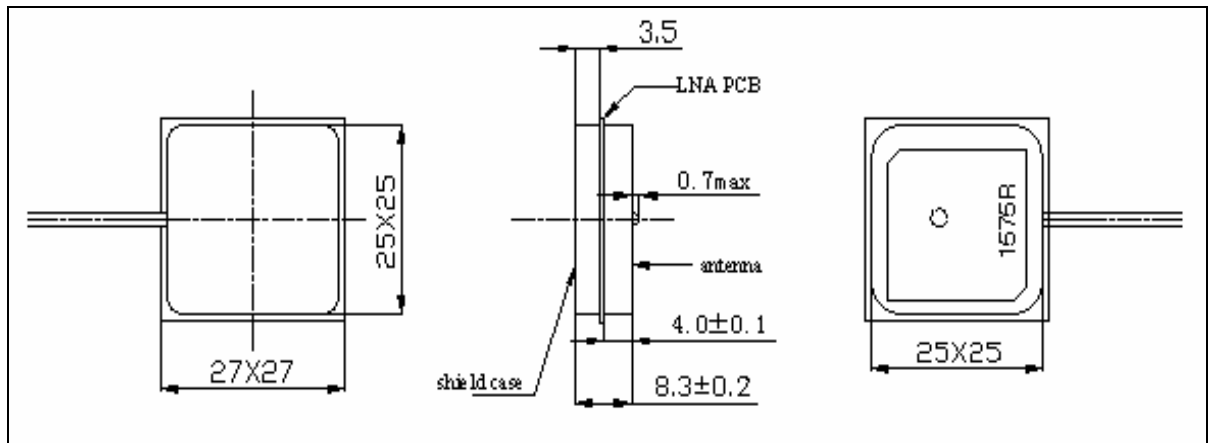


# GPS UNCASSED ANTENNA

## A TYPE:



### Outline Drawing: Unit: mm

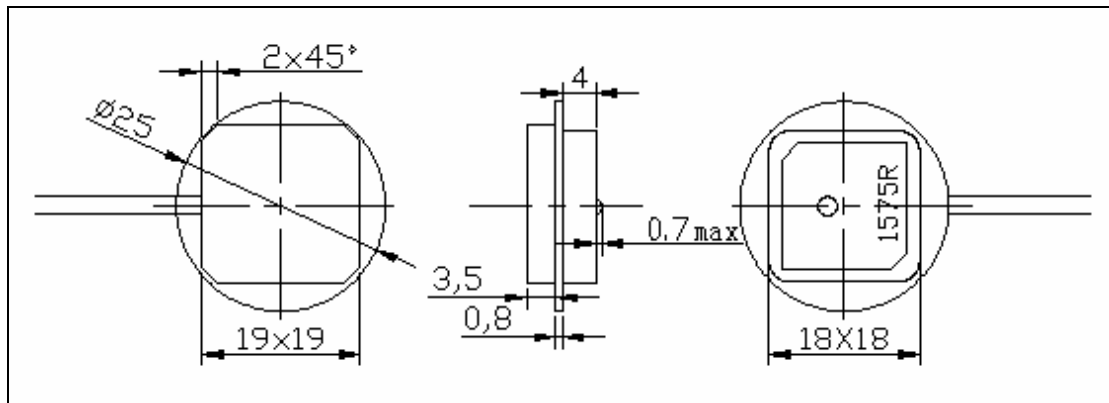


## C TYPE:



# ICDISTRIBUTION

Outline Drawing: Unit: mm



## I Patch Antenna Specification

|                  |  |
|------------------|--|
| Dimension:       | A type: 25(L) × 25(W) × 4(H)mm<br>C type: 18(L) × 18(W) × 4(H)mm |
| Center Frequency | 1575.42MHz ± 3 MHz   |
| V.S.W.R          | 1.5:1  |
| Band Width       | ± 5 MHz  |
| Attenuation      | 1575.42 ± 100MHz > 30dB  |
| Impedence        | 50 ohm   |
| Polarization     | RHCP   |

## II LNA Specification

|                             |                              |
|-----------------------------|------------------------------|
| LNA Gain<br>(Without cable) | 27dB Typical                 |
| Noise Figure                | 1.5dB                        |
| V.S.W.R                     | < 2.0                        |
| DC Voltage                  | 3V; 3V to 5V; 5V<br>Optional |
| DC current                  | 12mA Max                     |

### III Mechanical Specification

|           |   |
|-----------|---|
| Weight    | < 100 gram  |
| Size      | A type: 27(L) × 27(W) × 9.0(H)mm<br>C type: $\Phi$ 25 × 9.0mm |
| Cable     | RG174      5 meters long<br>Optional                          |
| Connector | SMA, SMB, BNC, MCX, MMCX<br>Optional                          |